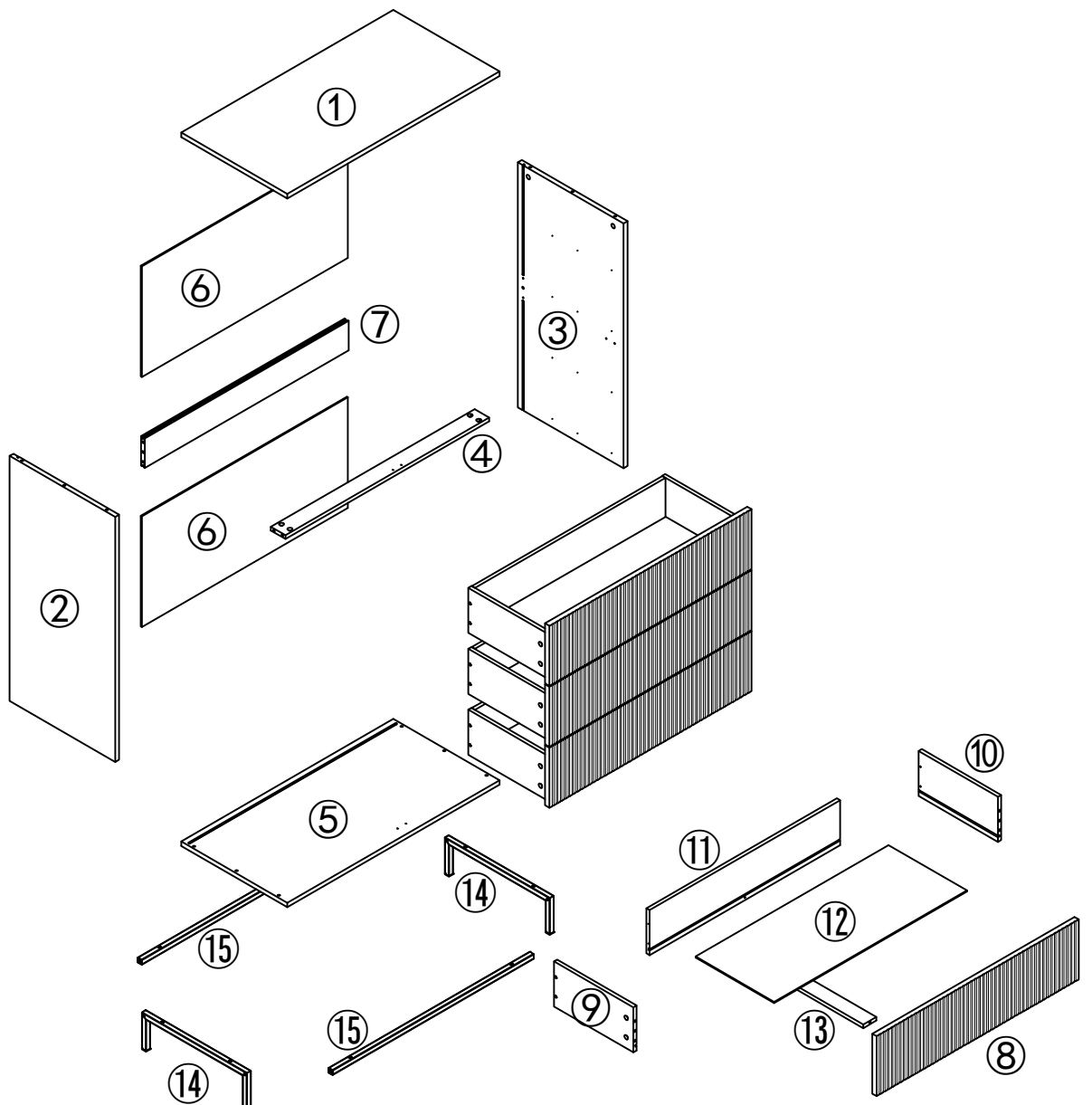
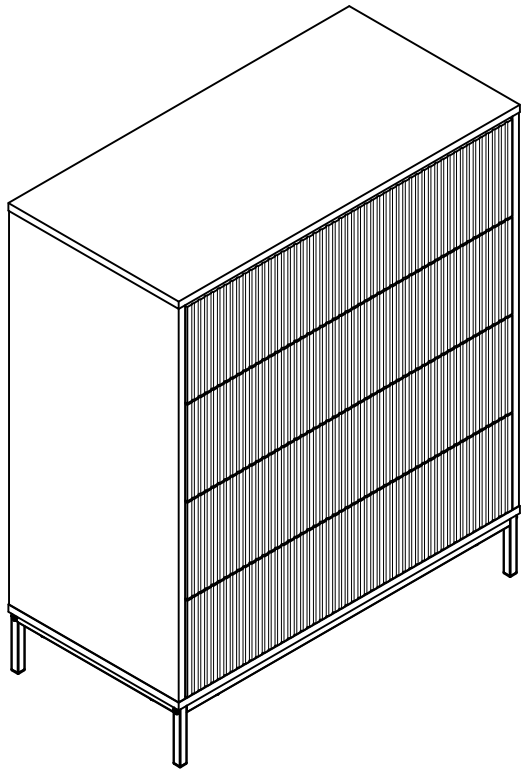


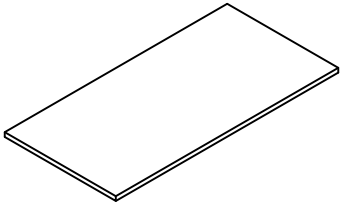


BY-CT3249



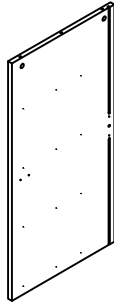
Parts List

①



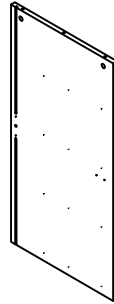
x1

②



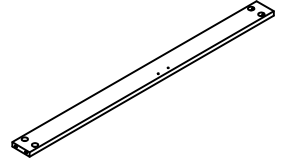
x1

③



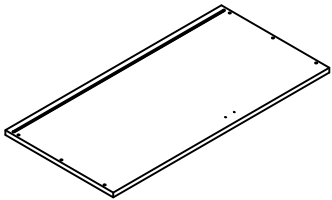
x1

④



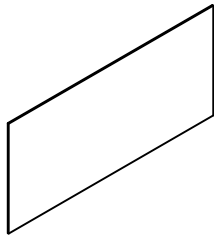
x1

⑤



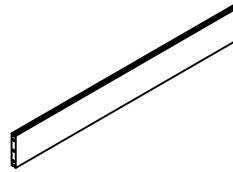
x1

⑥



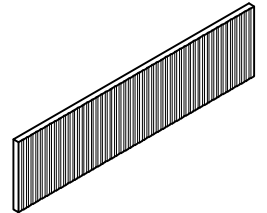
x2

⑦



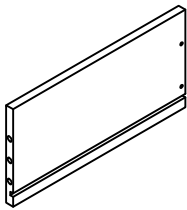
x1

⑧



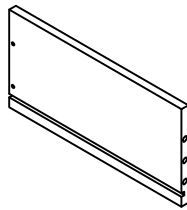
x4

⑨



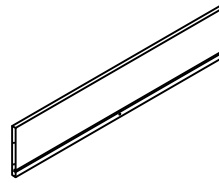
x4

⑩



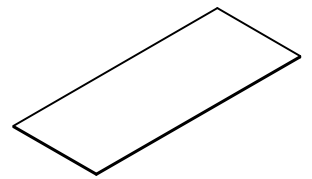
x4

⑪



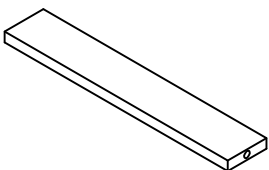
x4

⑫



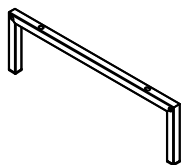
x4

⑬



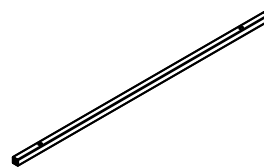
x4

⑭






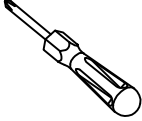

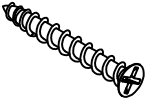
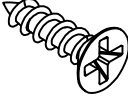
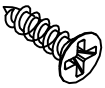
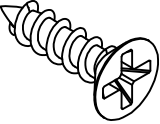
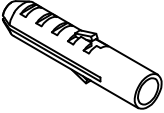

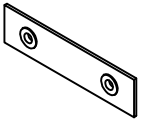

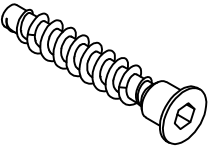
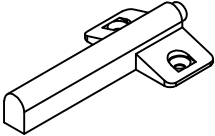
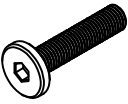
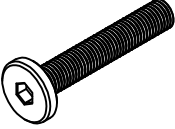
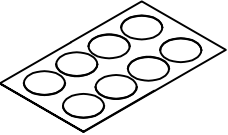
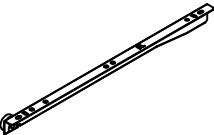
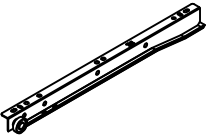
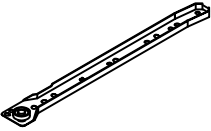
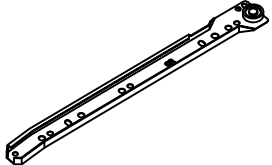
x2

⑮

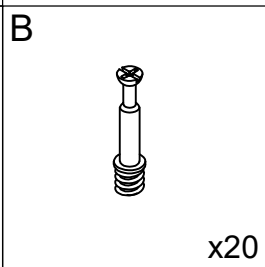
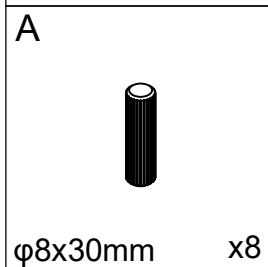
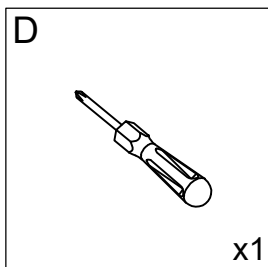
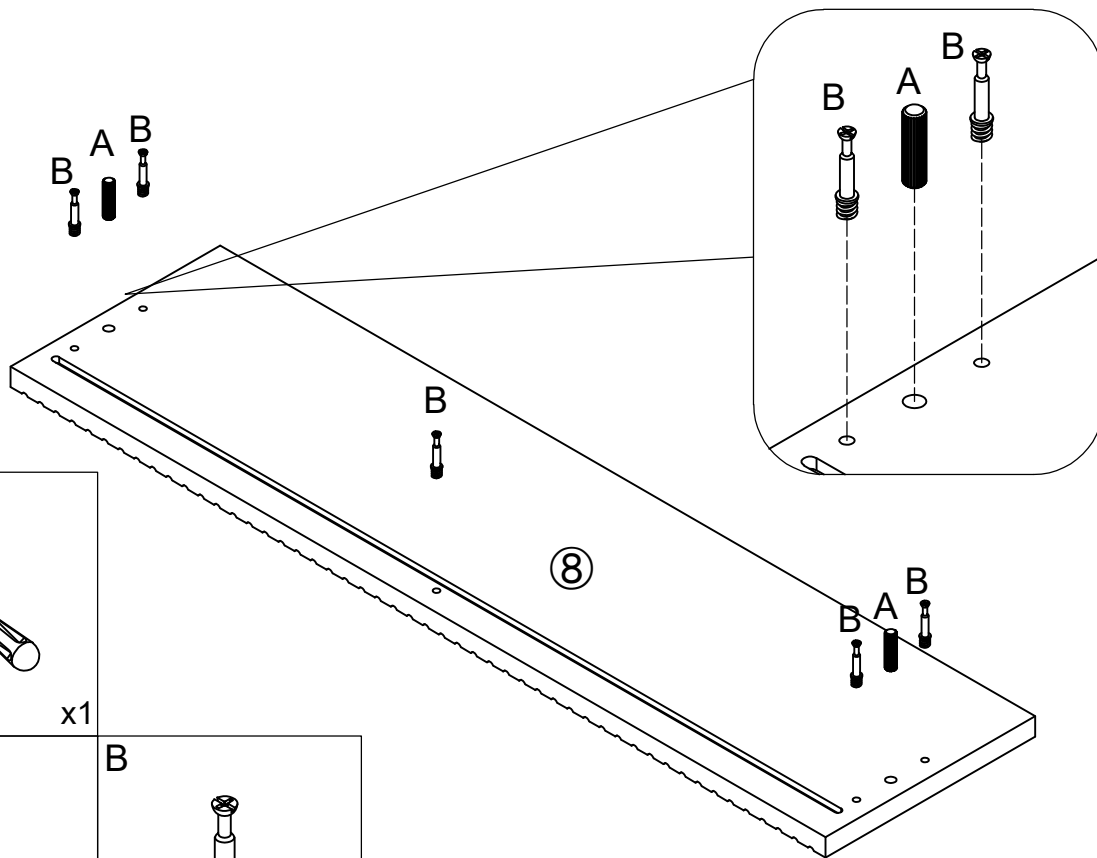


x2

Hardware List

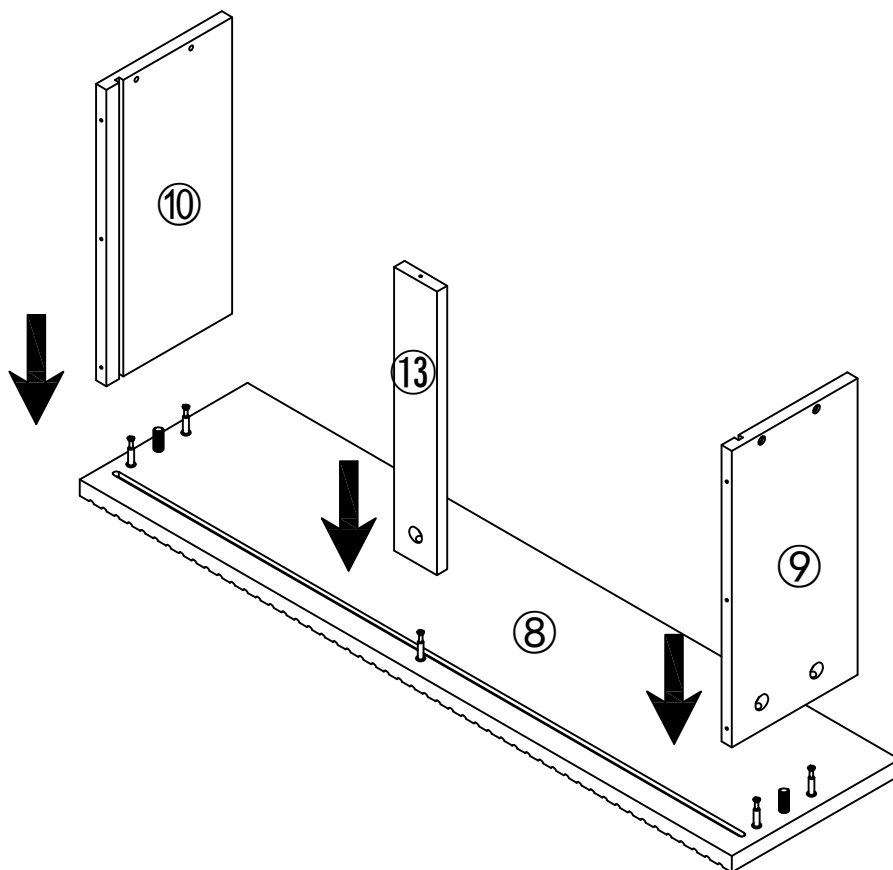
<p>A</p>  <p>φ8x30mm x14</p>	<p>B</p>  <p>x32</p>	<p>C</p>  <p>x32</p>	<p>D</p>  <p>x1</p>
<p>E</p>  <p>x1</p>	<p>F</p>  <p>φ4x35mm x22</p>	<p>G</p>  <p>φ4x22mm x2</p>	<p>H</p>  <p>φ3x16mm x8</p>
<p>I</p>  <p>φ3x12mm x56</p>	<p>J</p>  <p>x2</p>	<p>K</p>  <p>x4</p>	<p>L</p>  <p>x2</p>
<p>M</p>  <p>x8</p>	<p>N</p>  <p>φ7x40mm x4</p>	<p>O</p>  <p>x4</p>	<p>P</p>  <p>M6x25mm x8</p>
<p>Q</p>  <p>M6x35mm x4</p>	<p>R</p>  <p>x24</p>		
<p>DL</p>  <p>x4</p>	<p>DR</p>  <p>x4</p>	<p>CL</p>  <p>x4</p>	<p>CR</p>  <p>x4</p>

Step 1



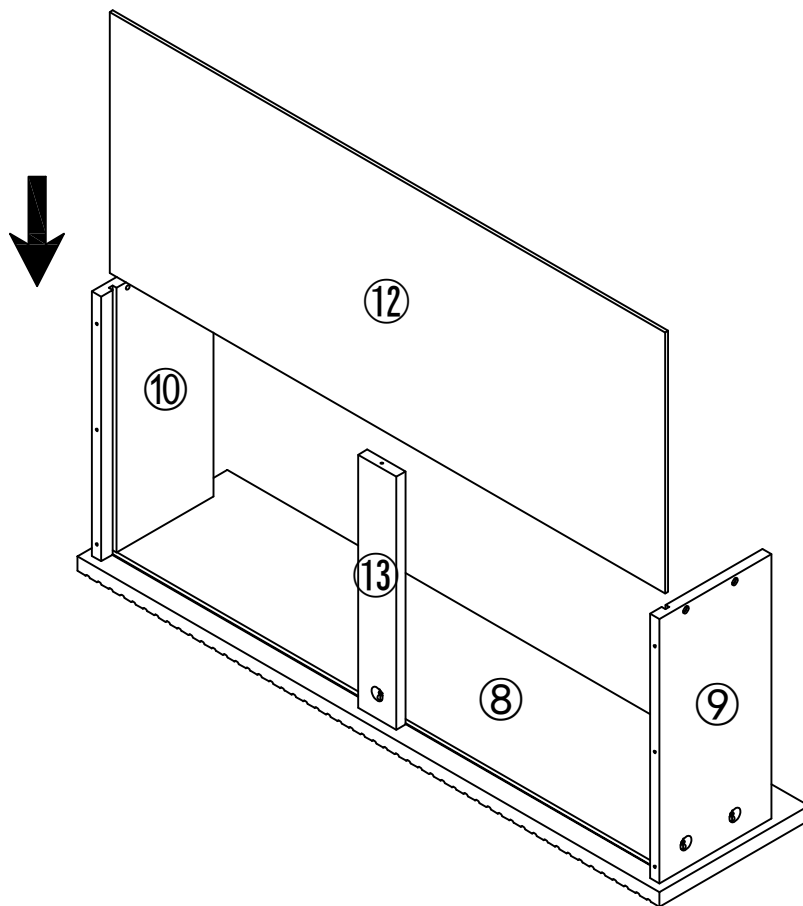
x4

Step 2



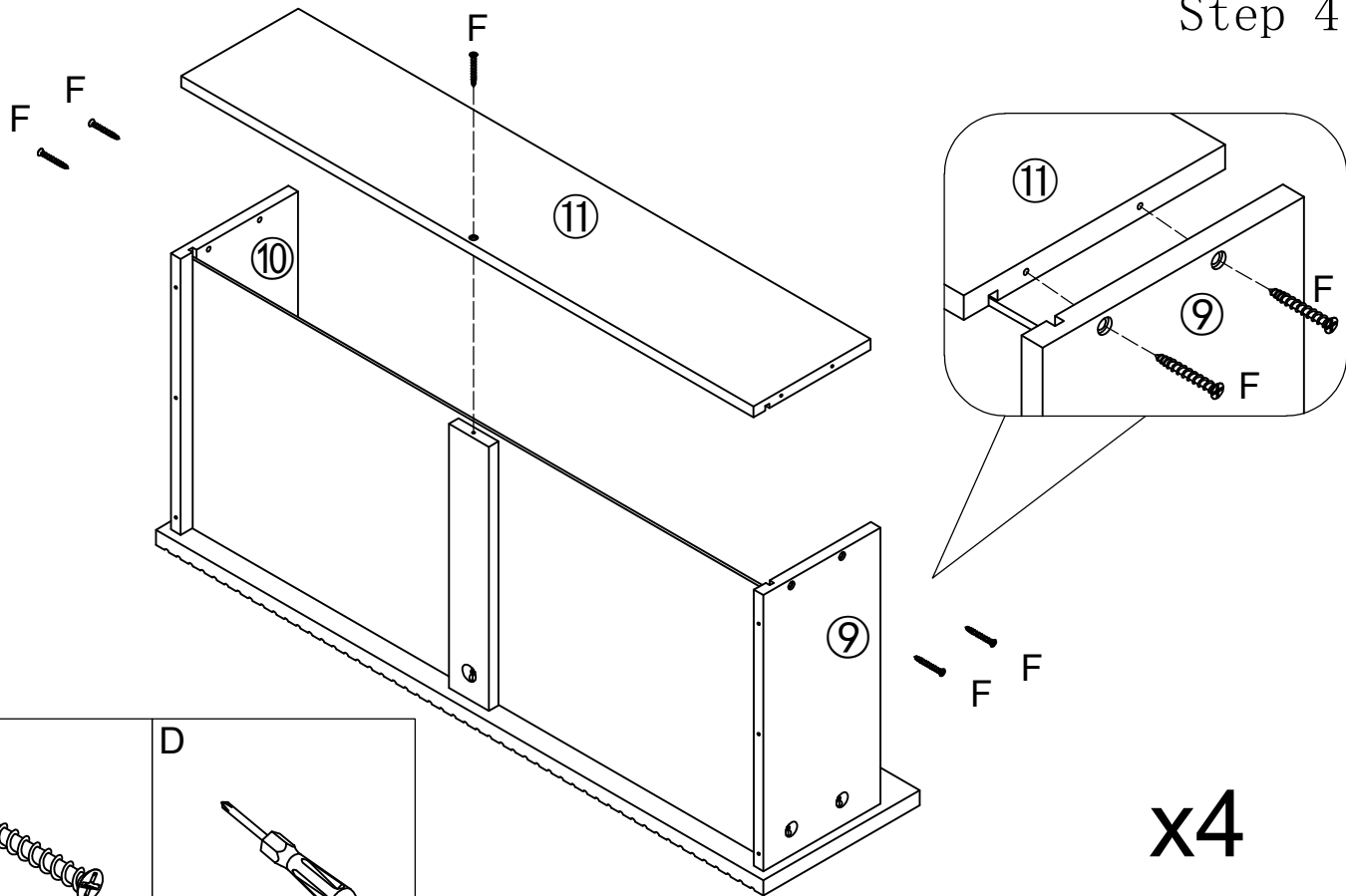
x4

Step 3

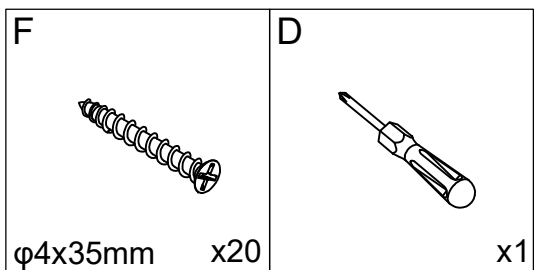


x4

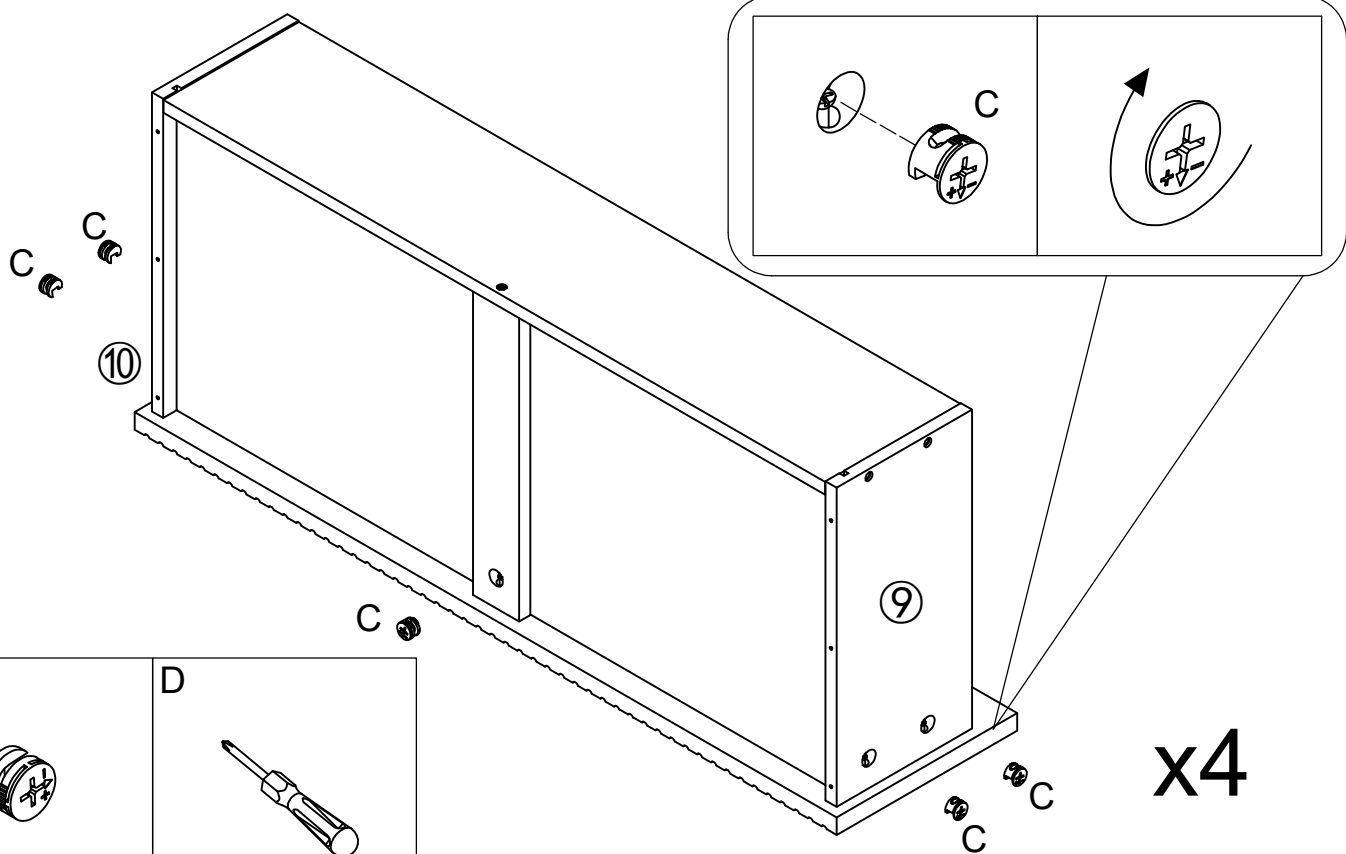
Step 4


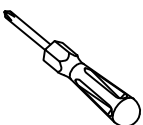


x4



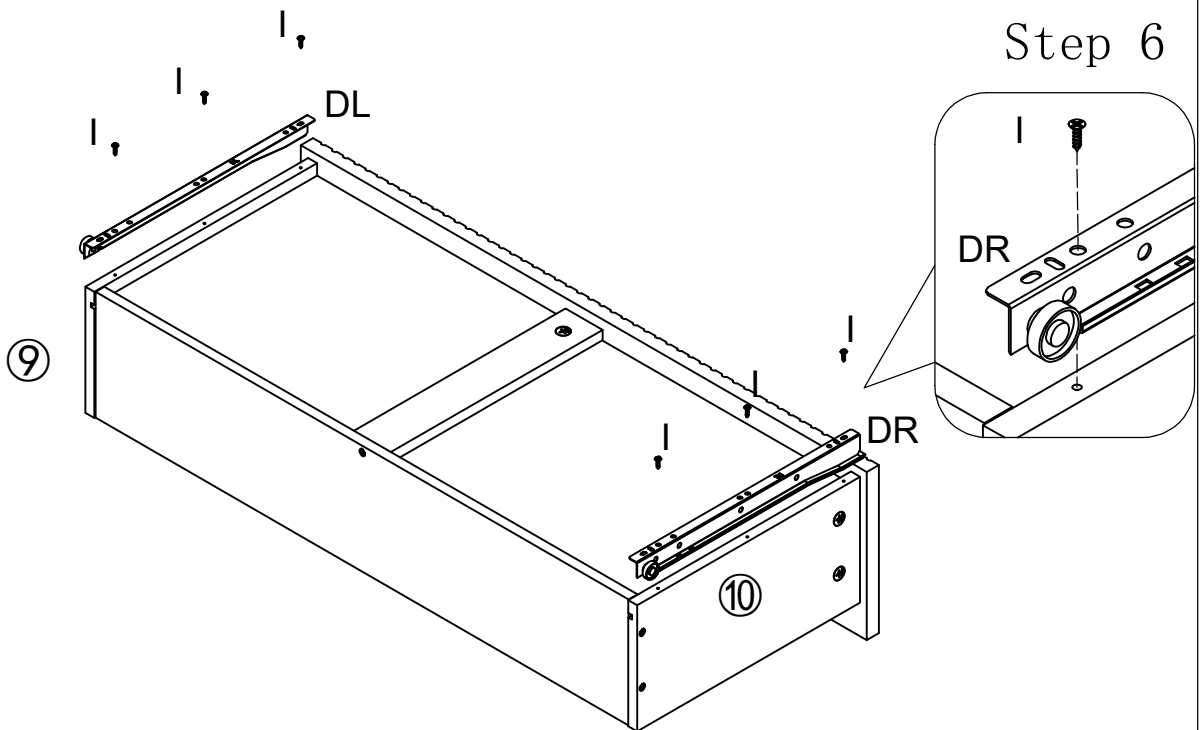
Step 5


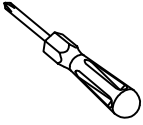
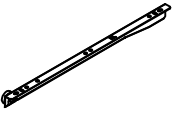
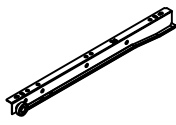


<p>C</p>  <p>x20</p>	<p>D</p>  <p>x1</p>
---	--

x4

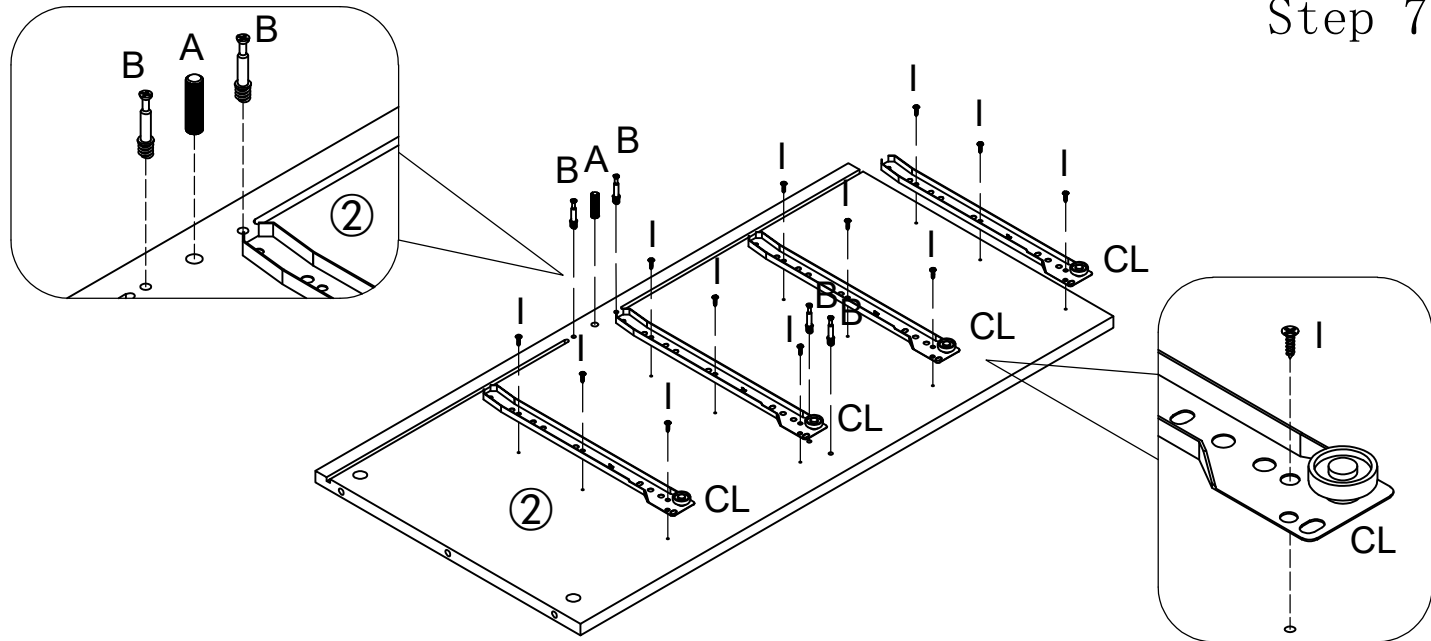
Step 6




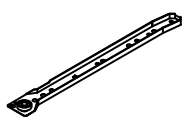
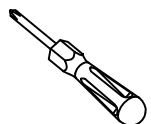


<p>I</p>  <p>φ3x12mm x24</p>	<p>D</p>  <p>x1</p>	<p>DL</p>  <p>x4</p>	<p>DR</p>  <p>x4</p>
--	---	--	---

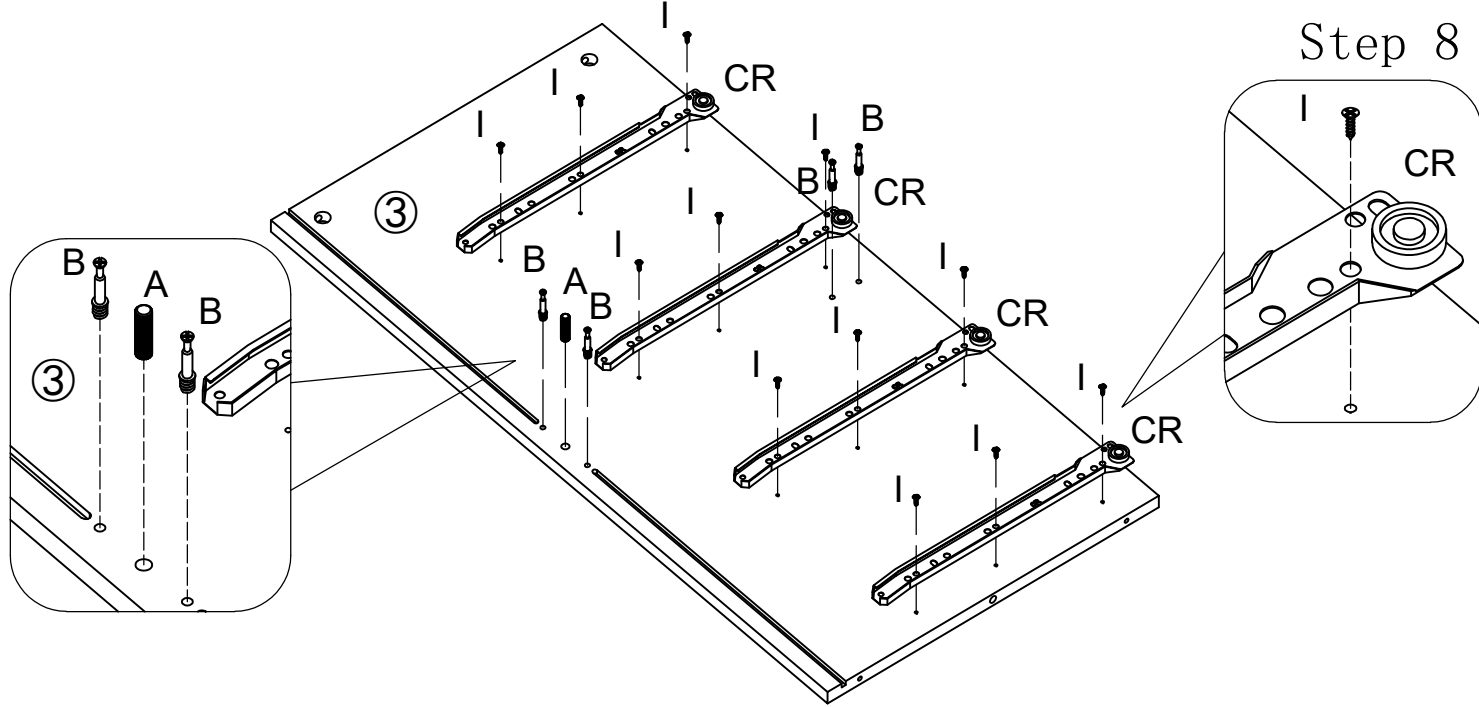
x4


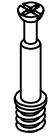


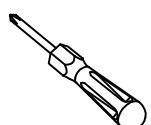
Step 7



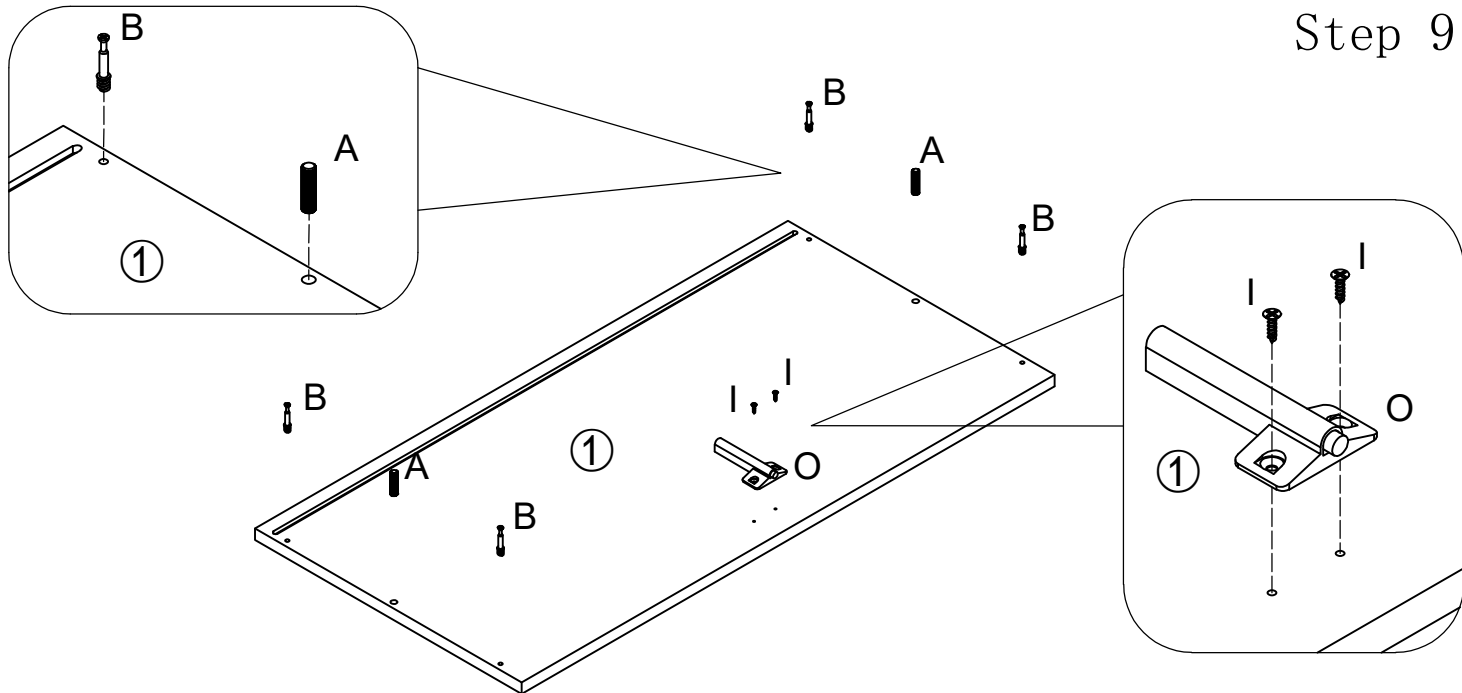
<p>A</p>  <p>φ8x30mm x1</p>	<p>B</p>  <p>x4</p>	<p>I</p>  <p>φ3x12mm x12</p>	<p>CL</p>  <p>x4</p>	<p>D</p>  <p>x1</p>
--	--	--	--	--

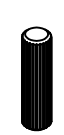
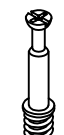

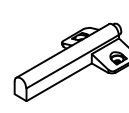
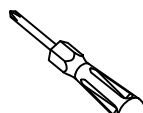
Step 8



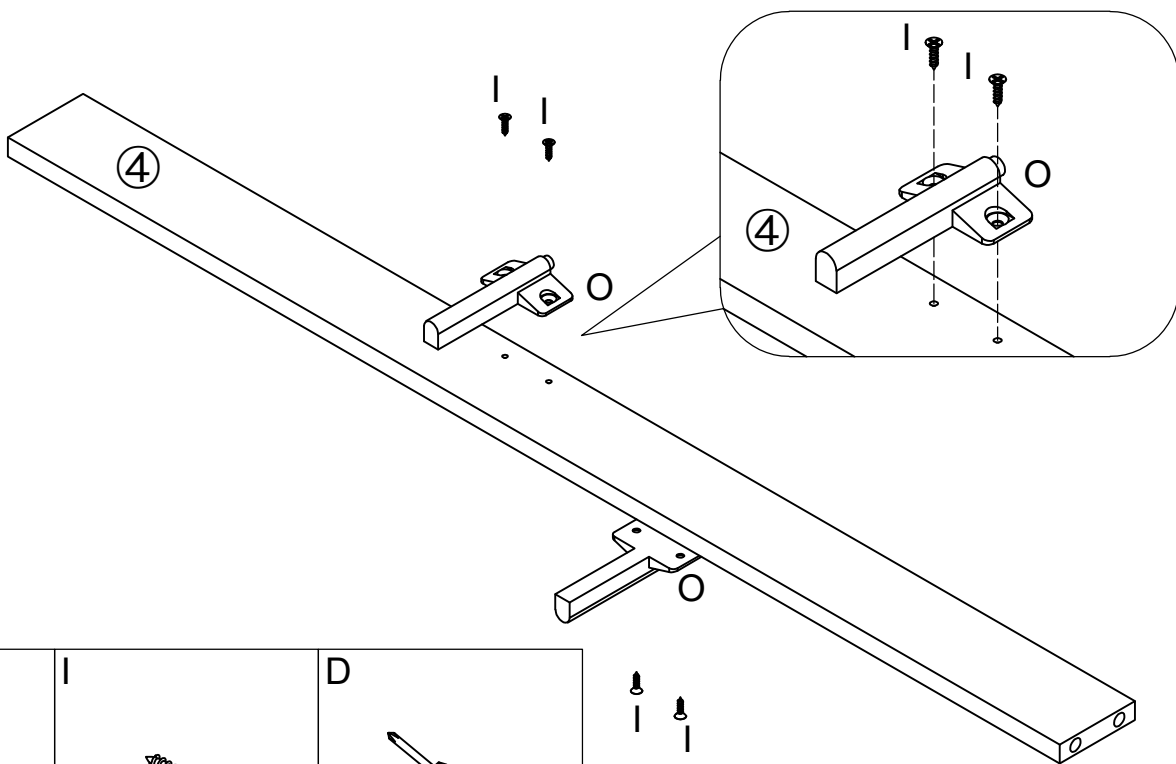
<p>A</p>  <p>φ8x30mm x1</p>	<p>B</p>  <p>x4</p>	<p>I</p>  <p>φ3x12mm x12</p>	<p>CR</p>  <p>x4</p>	<p>D</p>  <p>x1</p>
---	---	--	---	---

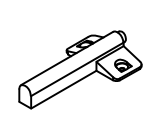

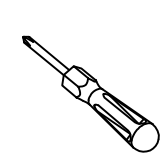
Step 9



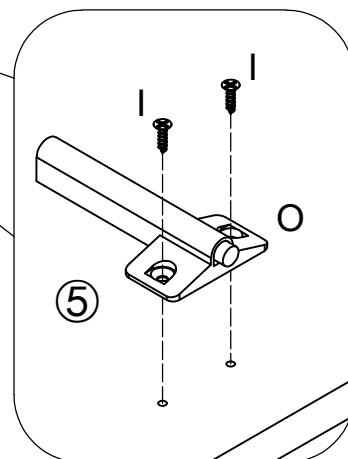
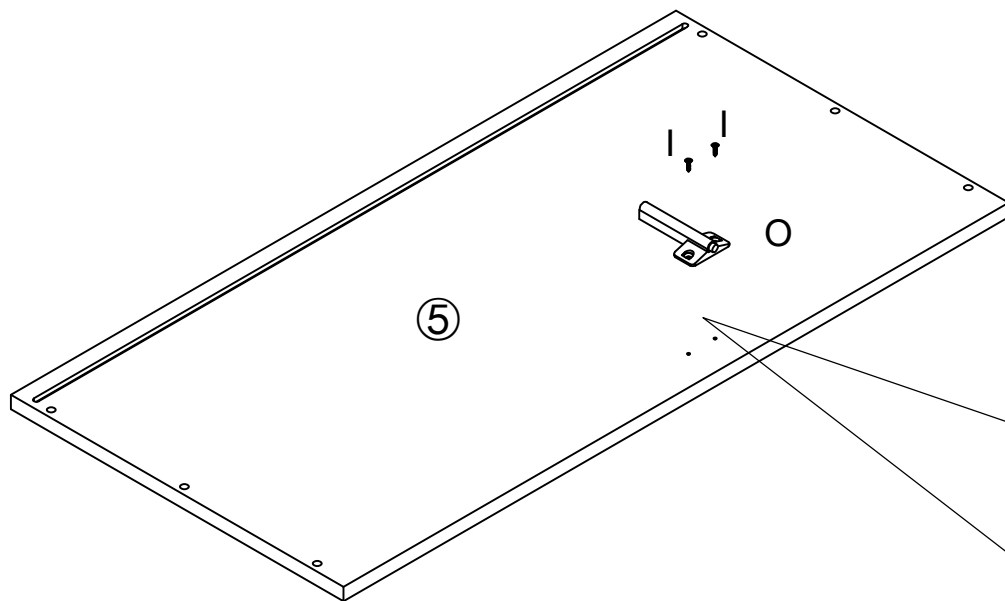
<p>A</p>  <p>φ8x30mm x2</p>	<p>B</p>  <p>x4</p>	<p>I</p>  <p>φ3x12mm x2</p>	<p>O</p>  <p>x1</p>	<p>D</p>  <p>x1</p>
---	--	---	---	--


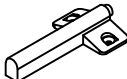
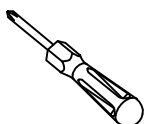
Step 10



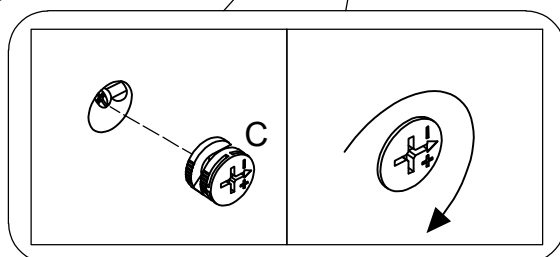
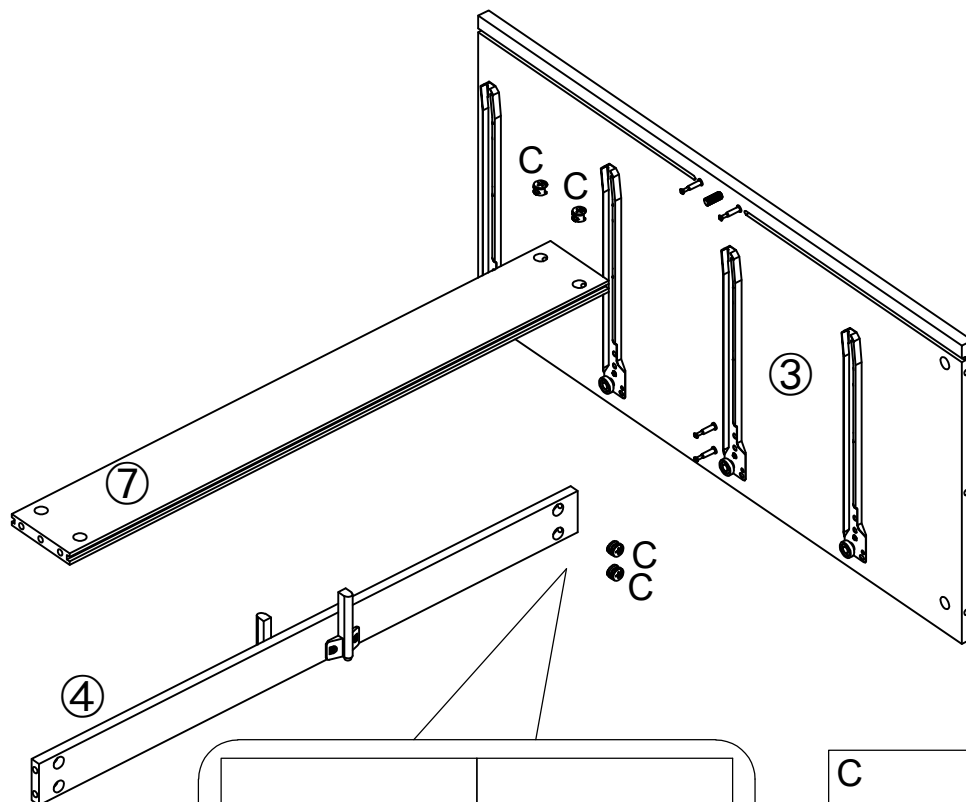
<p>O</p>  <p>x2</p>	<p>I</p>  <p>φ3x12mm x4</p>	<p>D</p>  <p>x1</p>
---	--	---


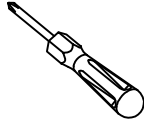
Step 11



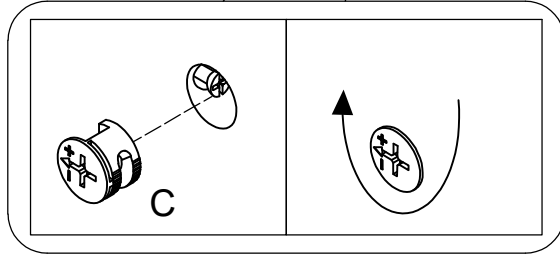
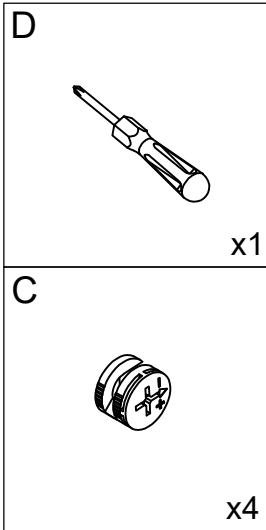
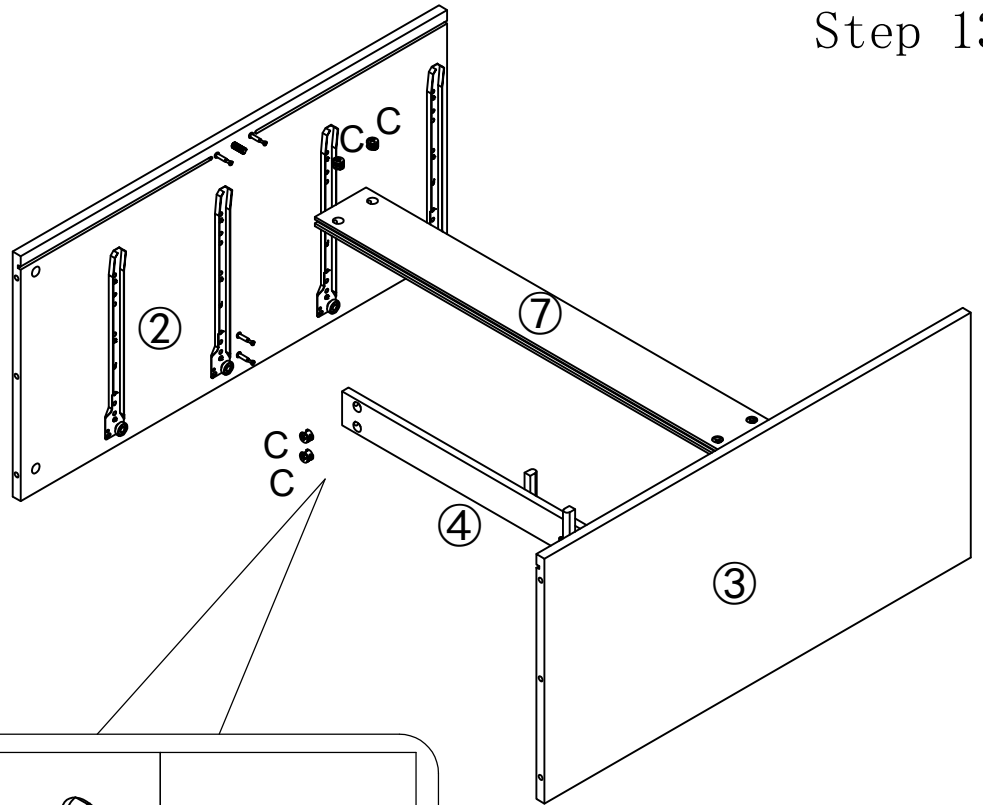
<p>I</p>  <p>φ3x12mm x2</p>	<p>O</p>  <p>x1</p>	<p>D</p>  <p>x1</p>
---	---	---

Step 12

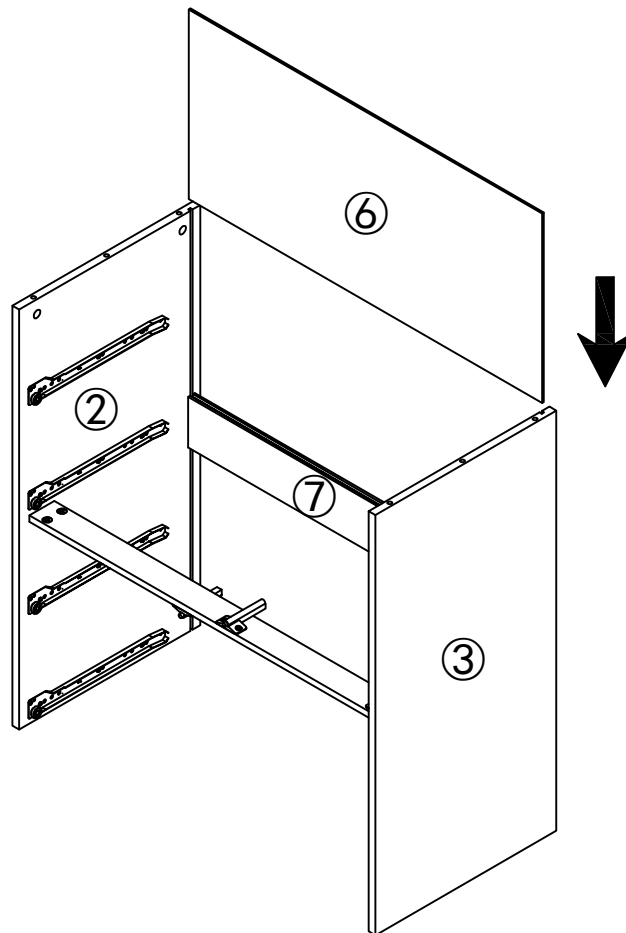


<p>C</p>  <p>x4</p>	<p>D</p>  <p>x1</p>
--	--

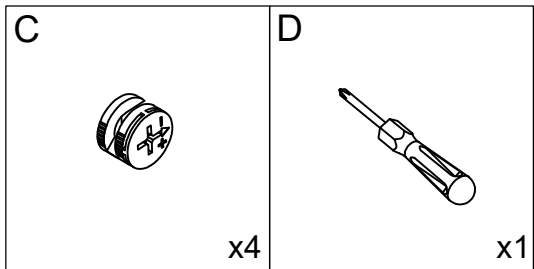
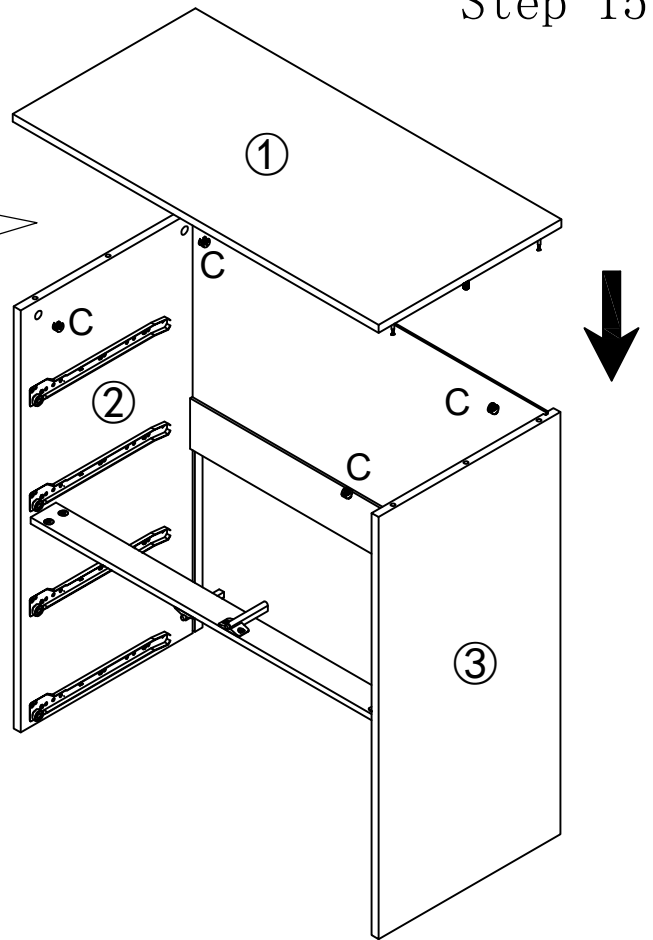
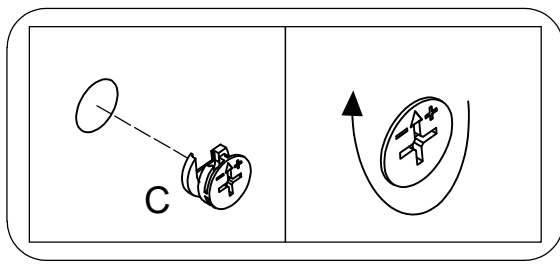
Step 13



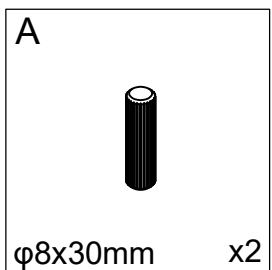
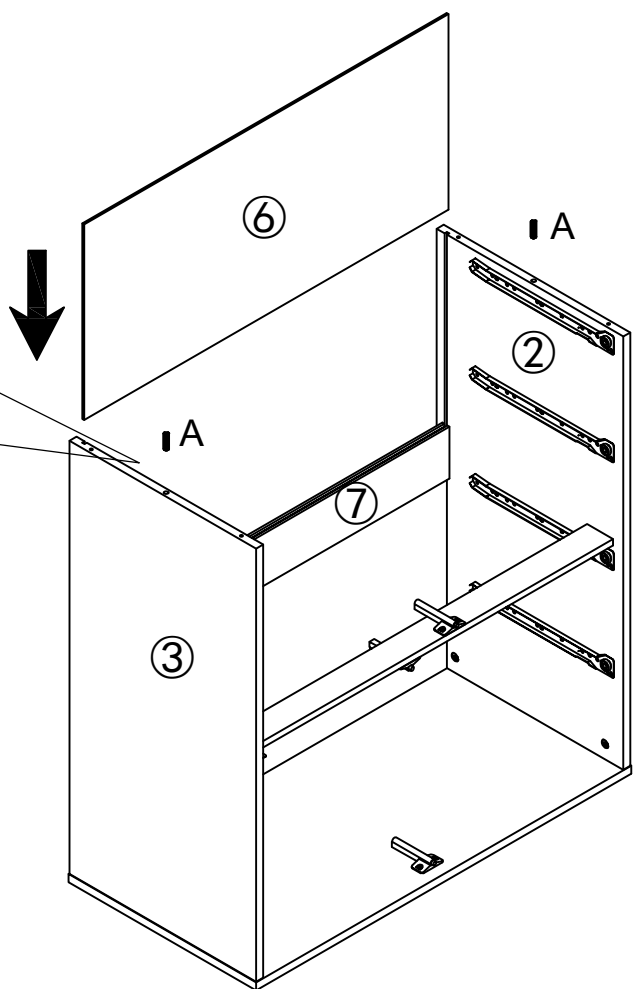
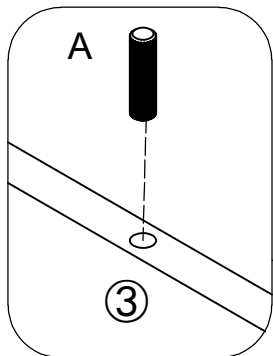
Step 14



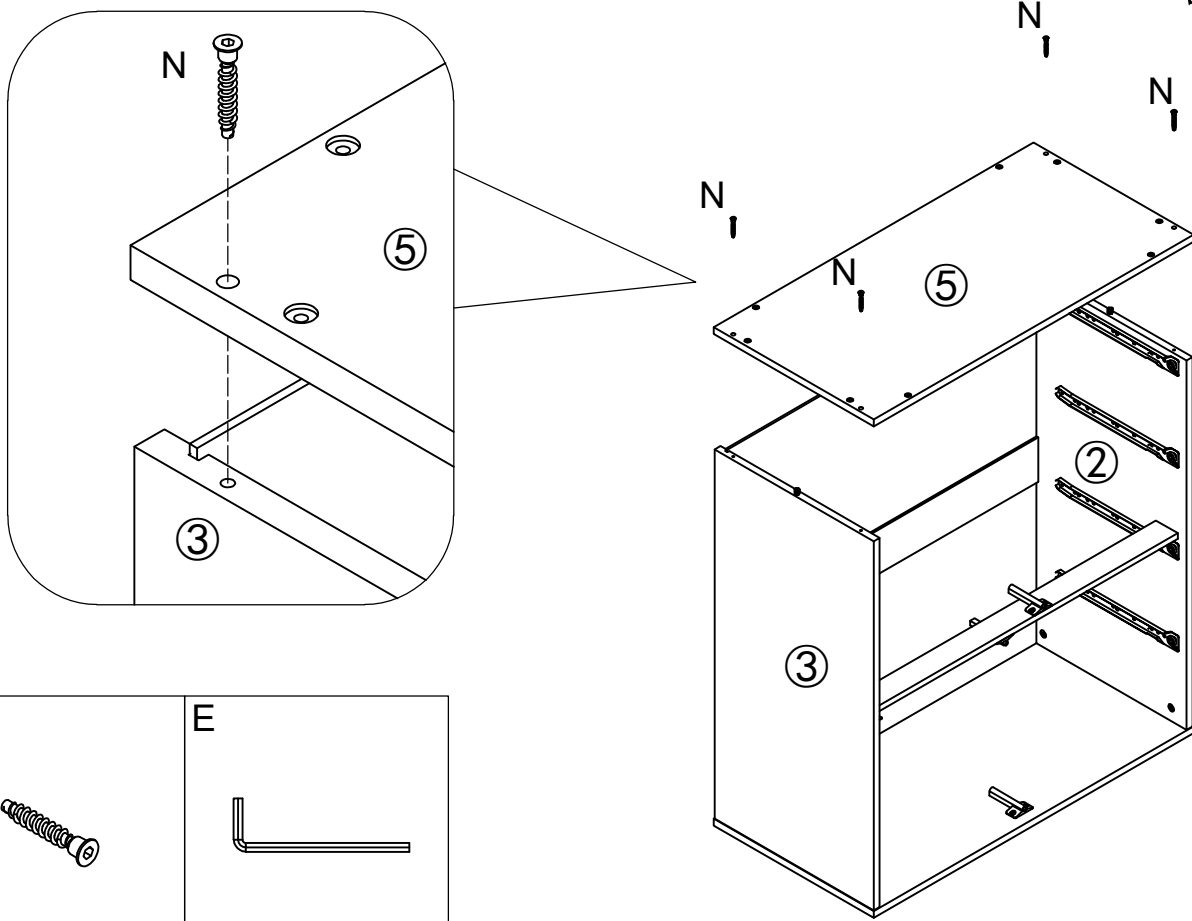
Step 15





Step 16

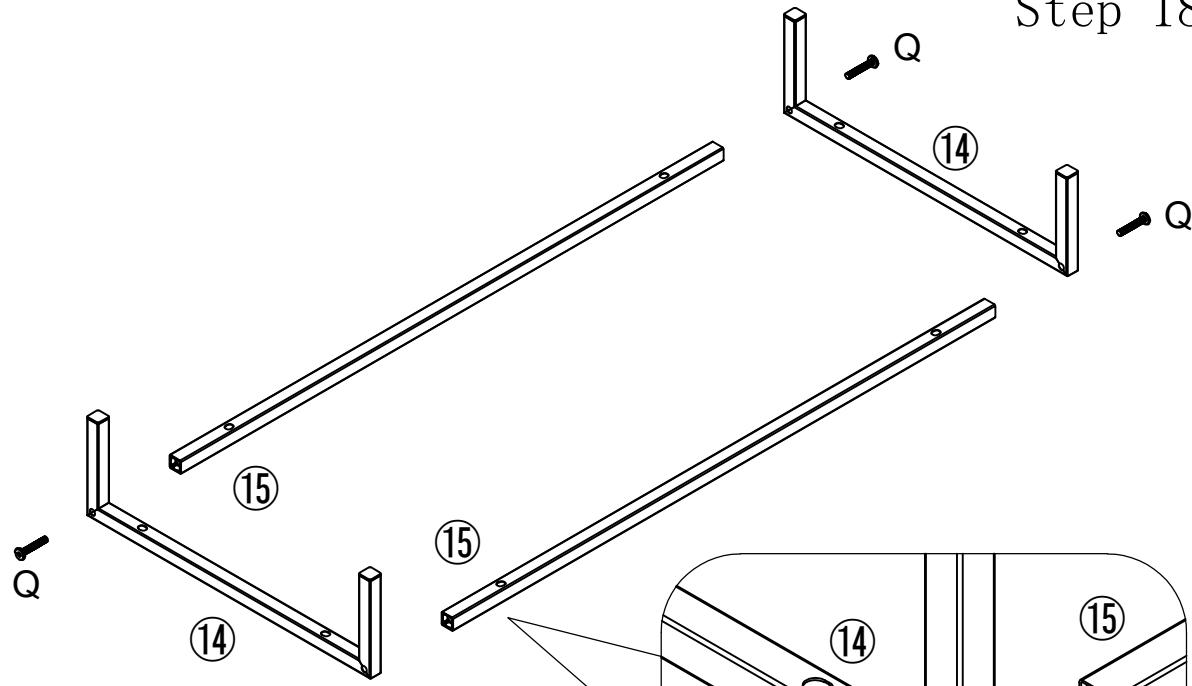



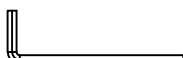
Step 17

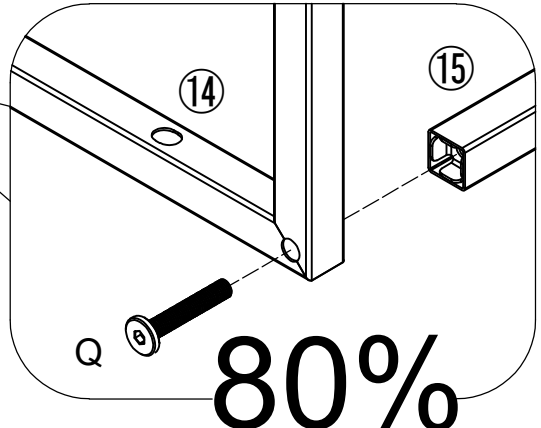


<p>N</p>  <p>φ7x40mm x4</p>	<p>E</p>  <p>x1</p>
---	--

Step 18

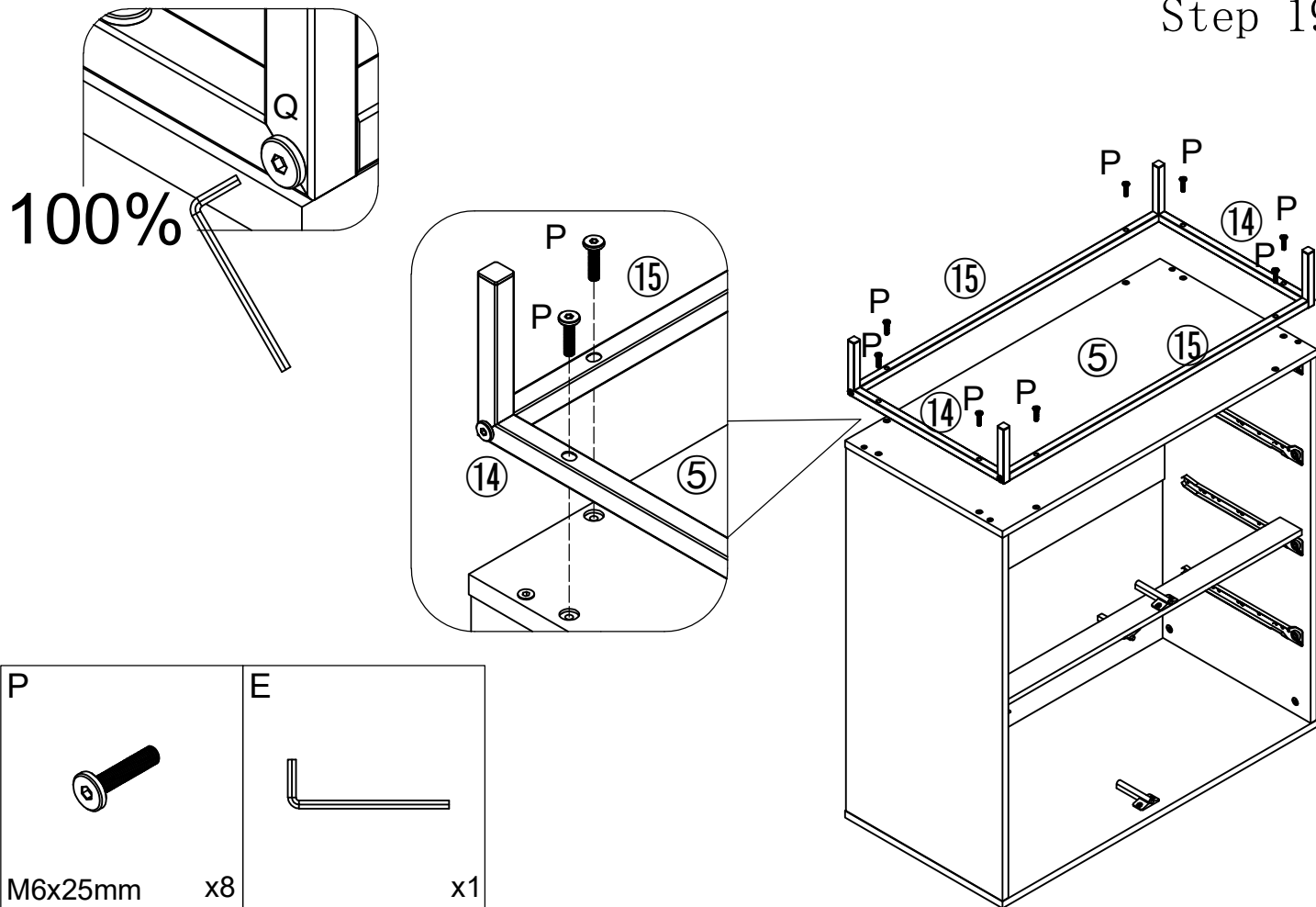


<p>Q</p>  <p>M6x35mm x4</p>	<p>E</p>  <p>x1</p>
--	--

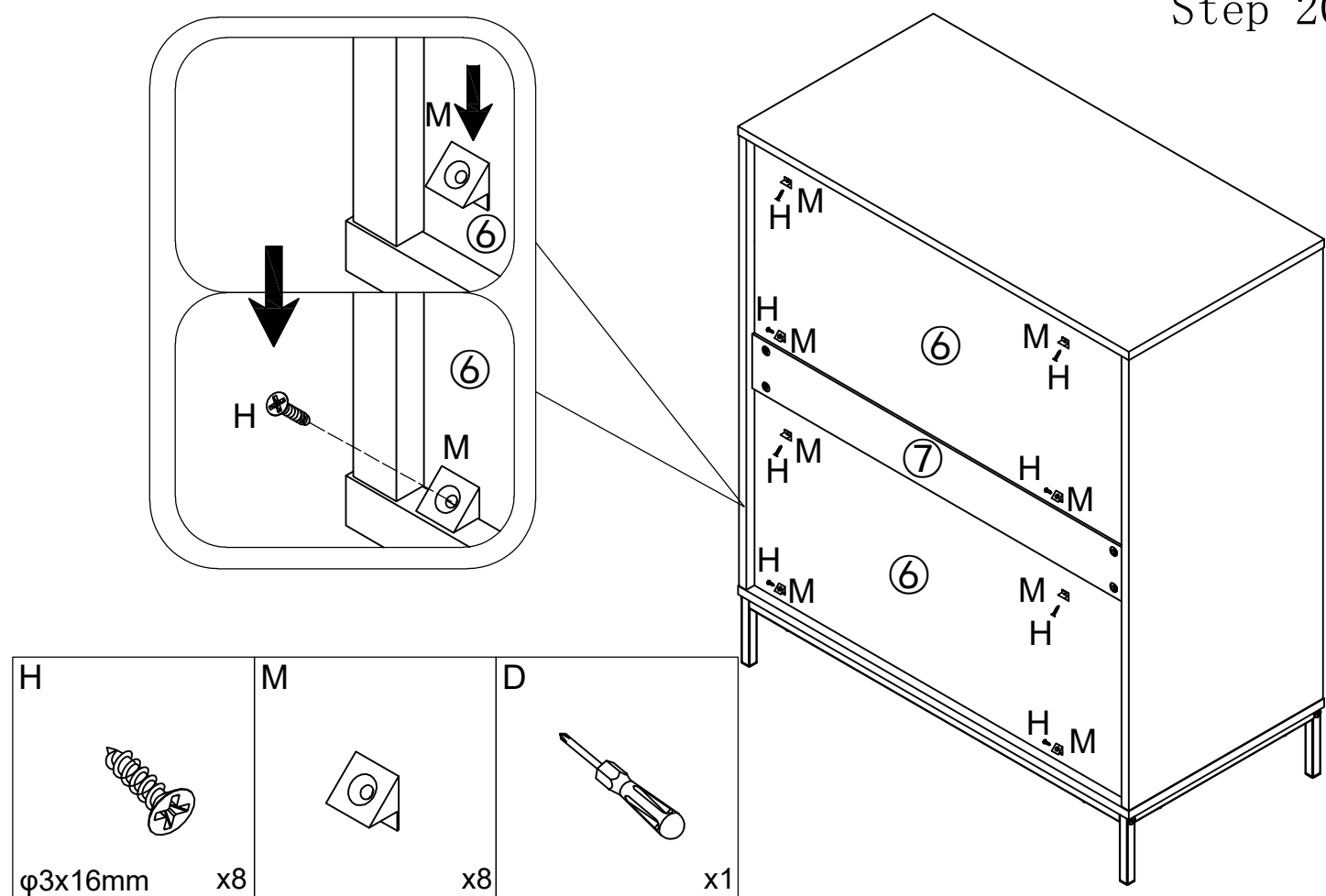


80%

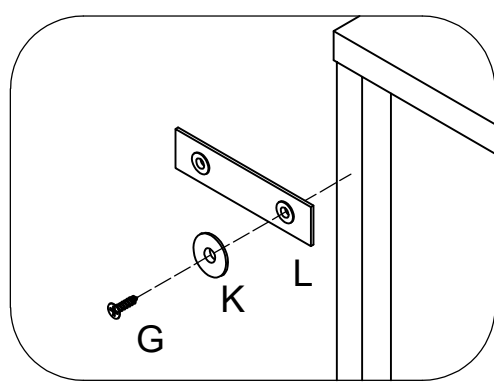
Step 19



Step 20



Step 21

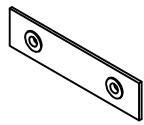
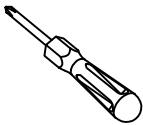
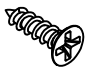



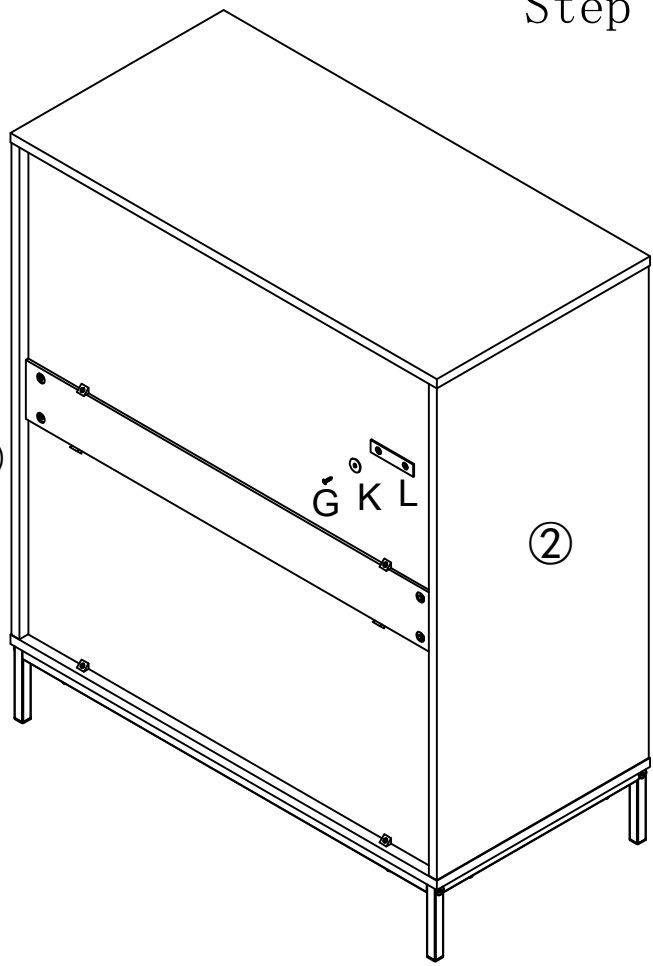
G K L

③

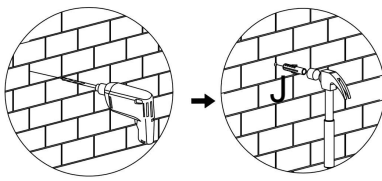
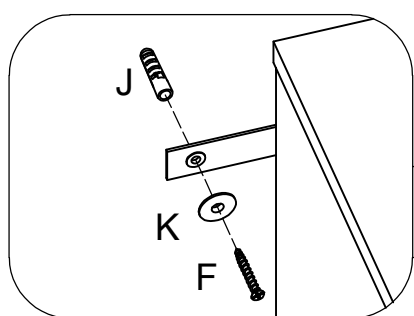
G K L

②

<p>L</p>  <p>x2</p>	<p>D</p>  <p>x1</p>
<p>G</p>  <p>φ4x22mm</p>	<p>K</p>  <p>x2</p>



Step 22


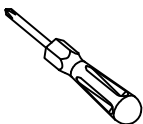
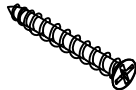



J

K F

J

K F

<p>J</p>  <p>x2</p>	<p>D</p>  <p>x1</p>
<p>F</p>  <p>φ4x35mm</p>	<p>K</p>  <p>x2</p>

