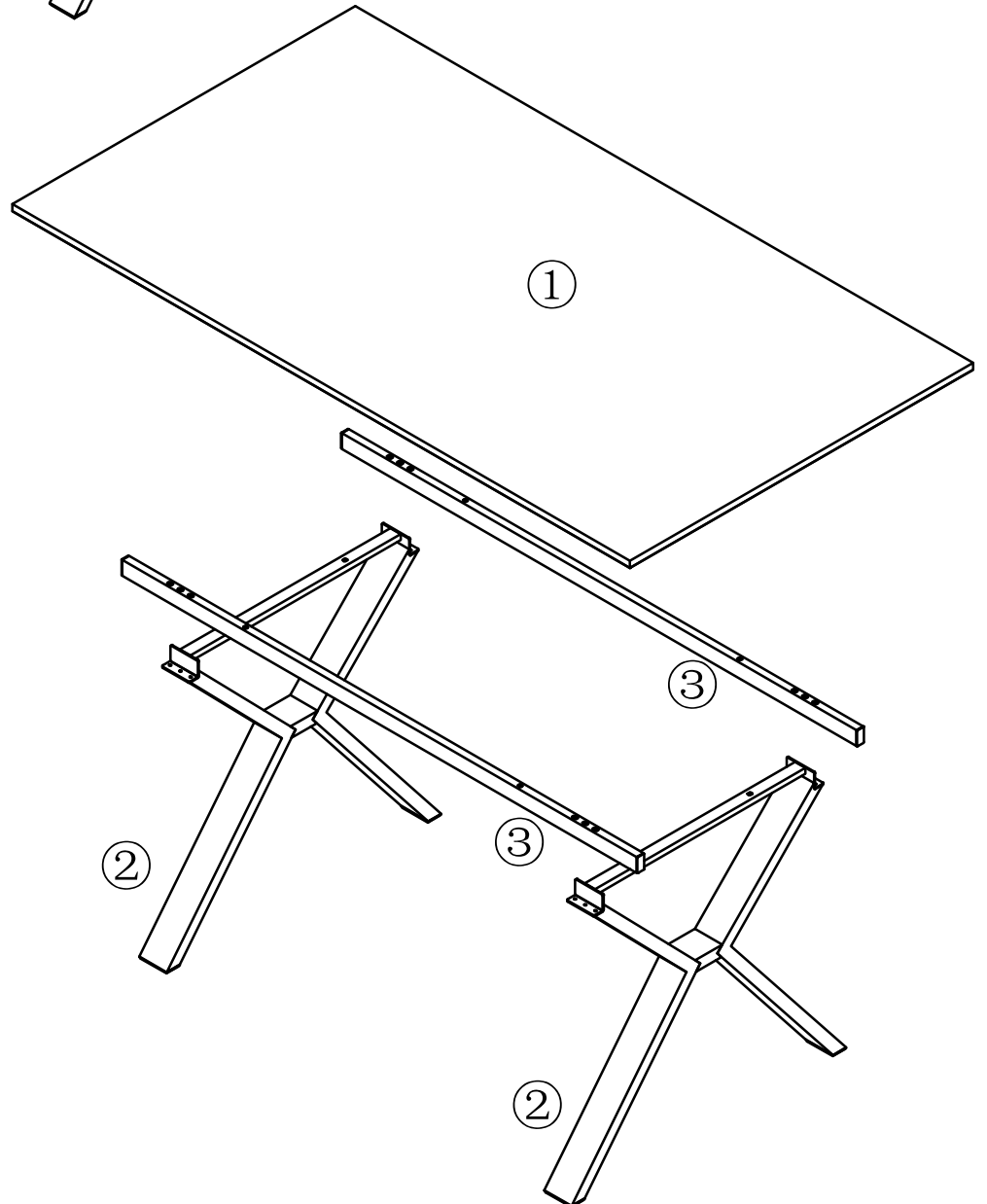
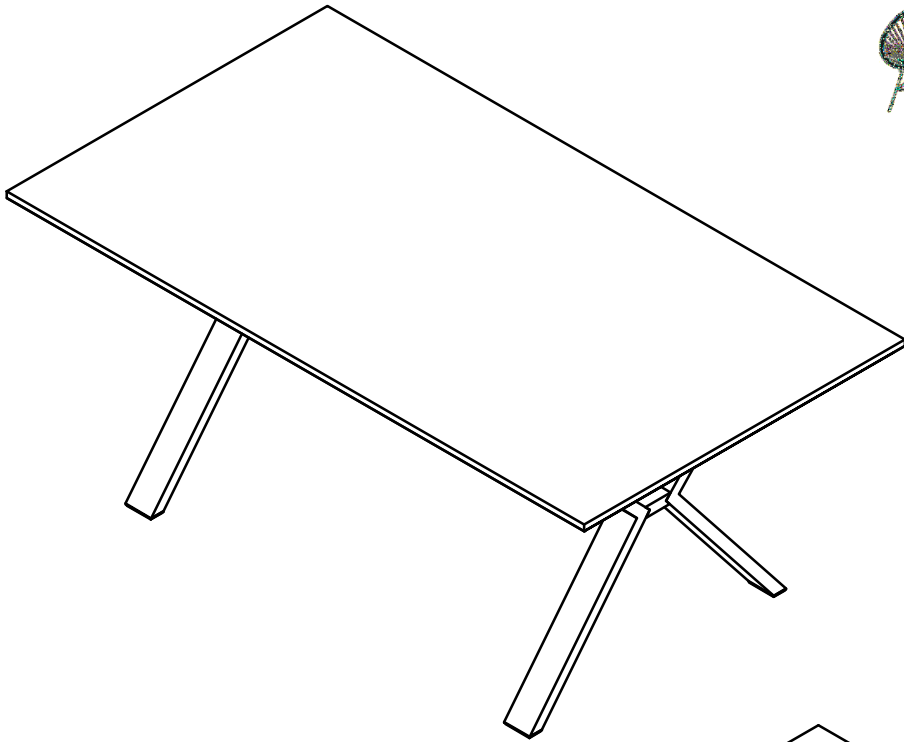


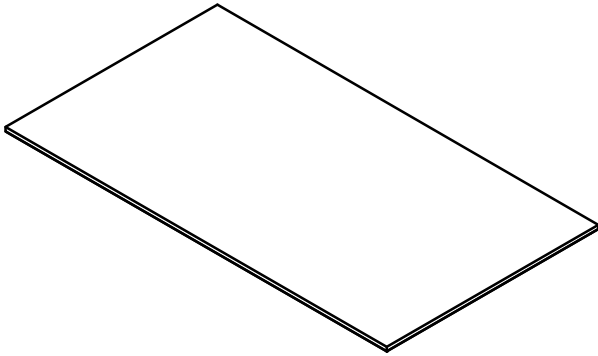


# BY-DT3216



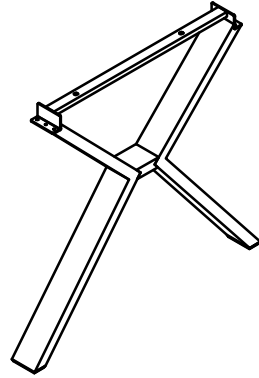
# Parts List

①



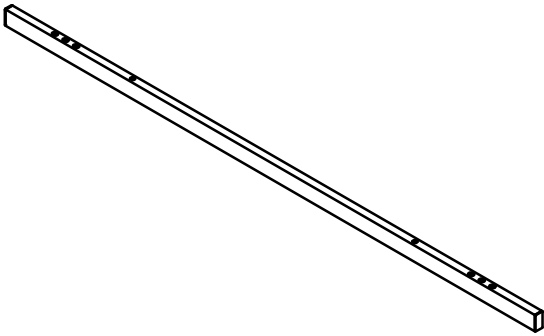
x1

②



x2

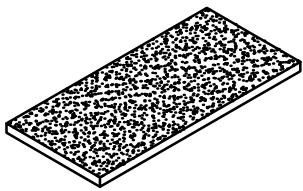
③



x2

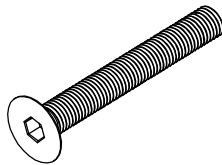
# Hardware List

A



x4

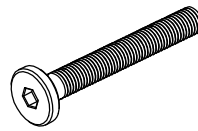
B



M6x45mm

x12

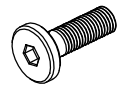
C



M6x50mm

x4

D



M6x25mm

x4

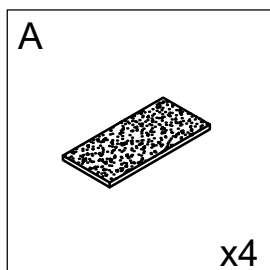
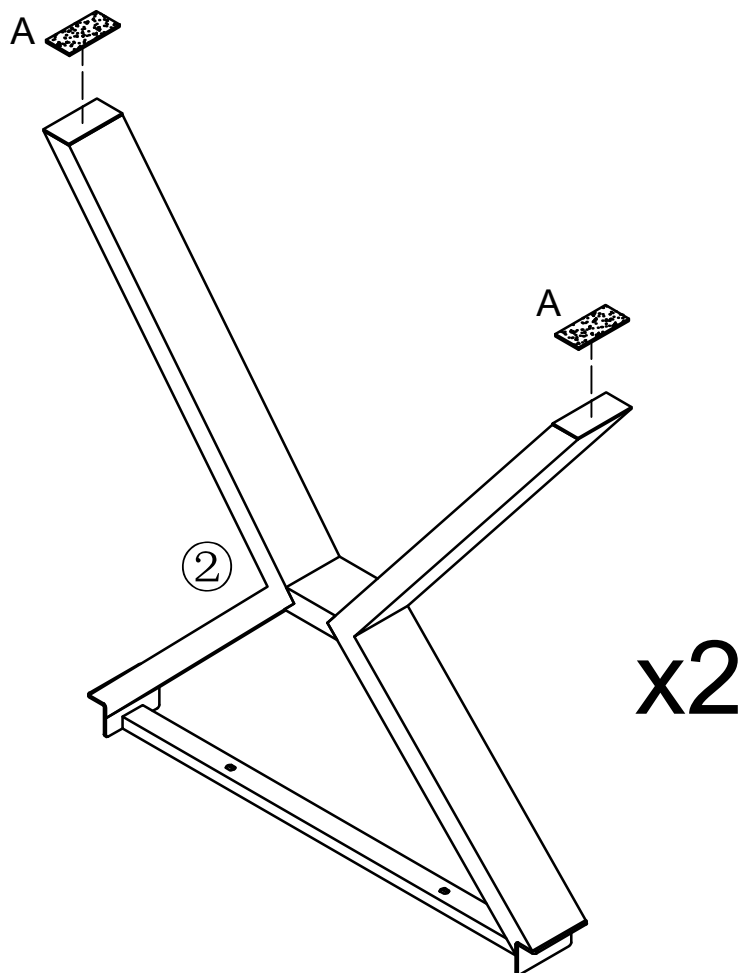
E



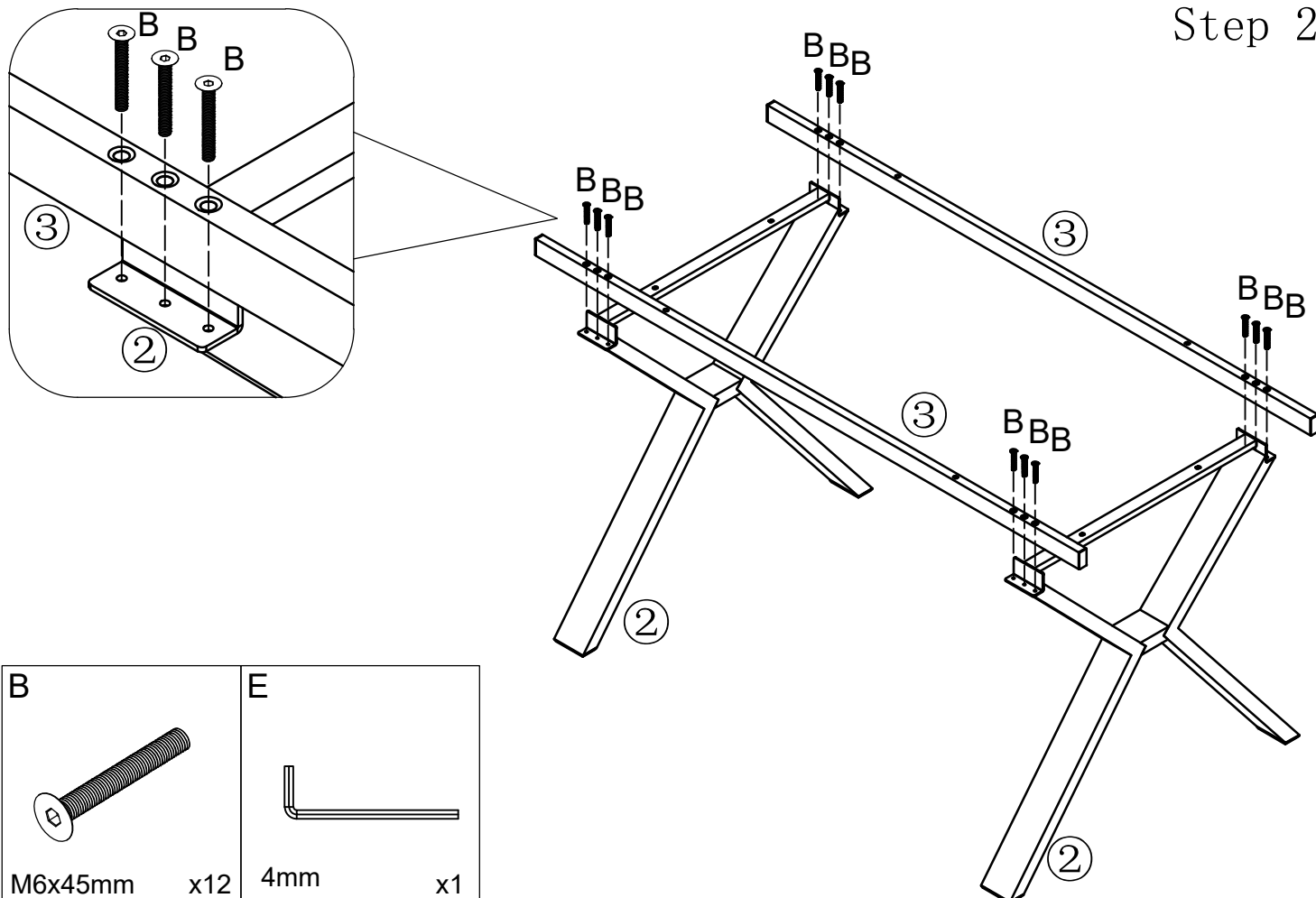
4mm

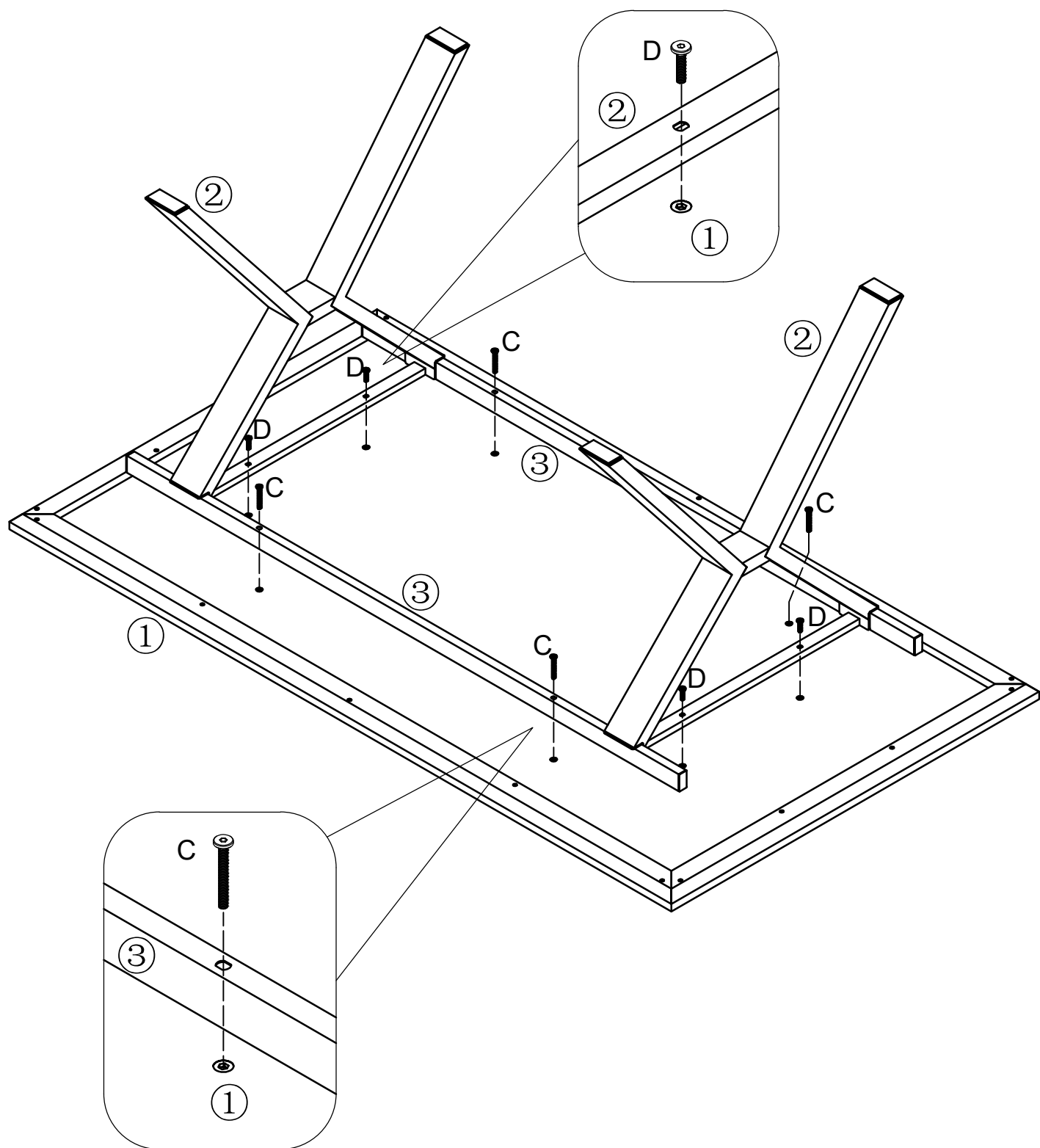
x1

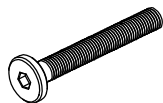


# Step 1



# Step 2





<p><b>C</b></p>  <p>M6x50mm    x4</p>	<p><b>D</b></p>  <p>M6x25mm    x4</p>	<p><b>E</b></p>  <p>4mm    x1</p>
--	--	--